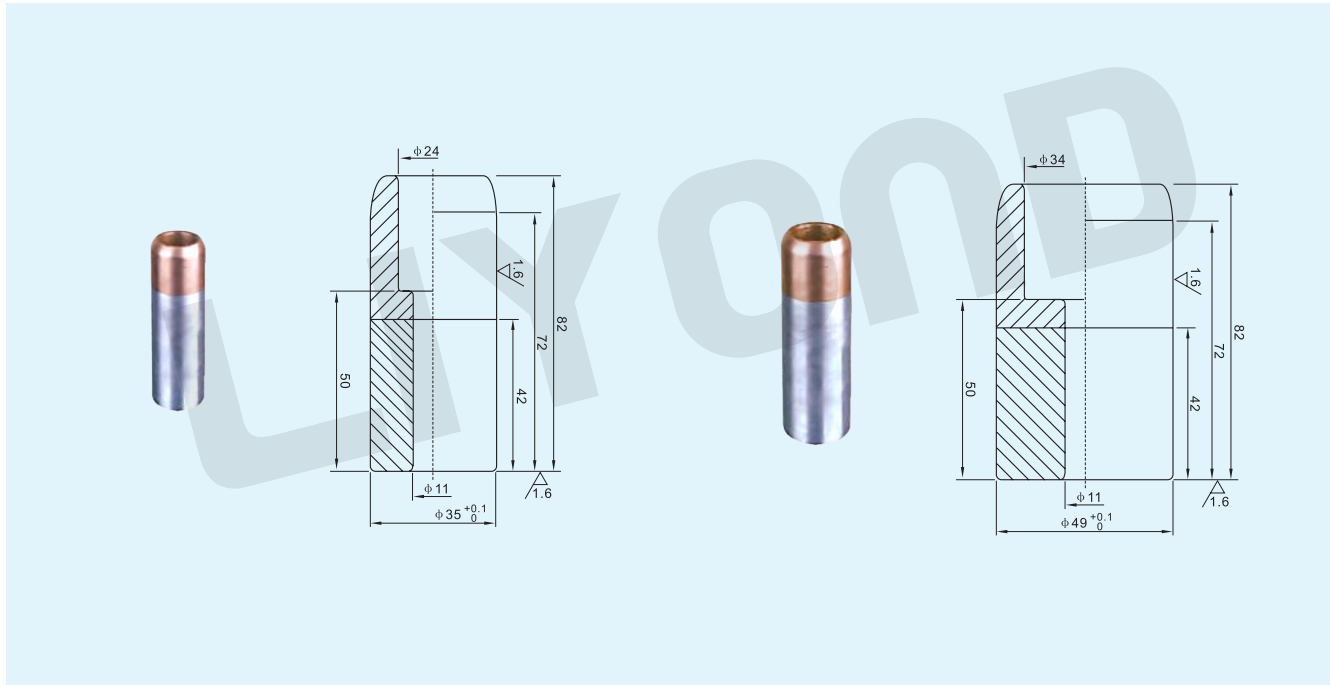




COPPER & ALUMINUM SERIES

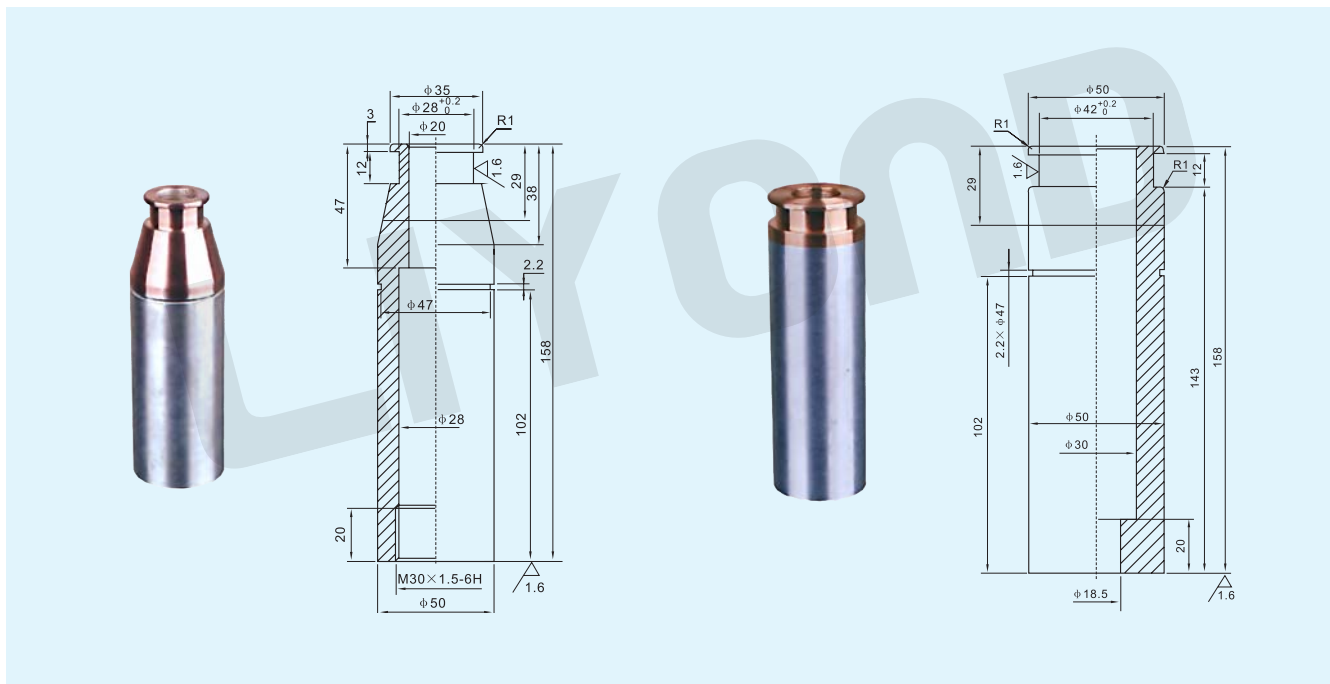
Model No.: LYB007 Material: Copper & Aluminum
630A Fixed contact

Model No.: LYB008 Material: Copper & Aluminum
1250A Fixed contact



Model No.: LYB009 Material: Copper & Aluminum
630A Contact arm

Model No.: LYB010 Material: Copper & Aluminum
1250A Contact arm

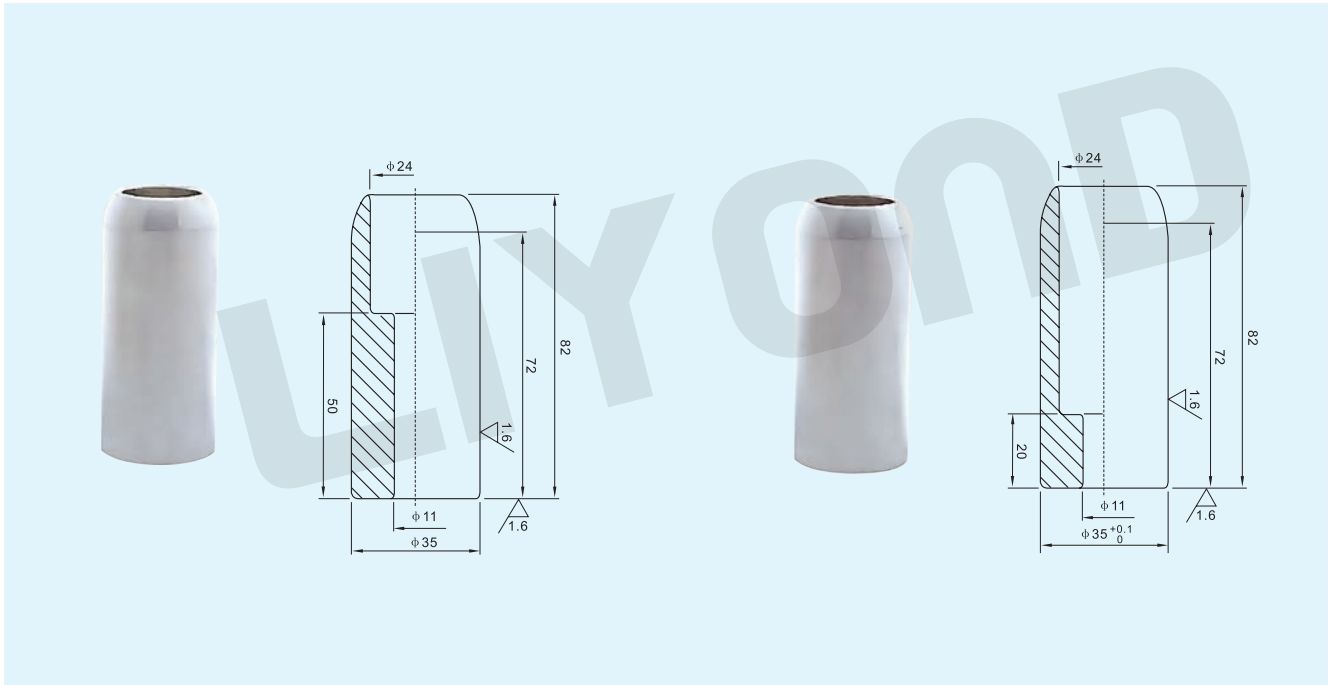




FIXED CONTACT SERIES

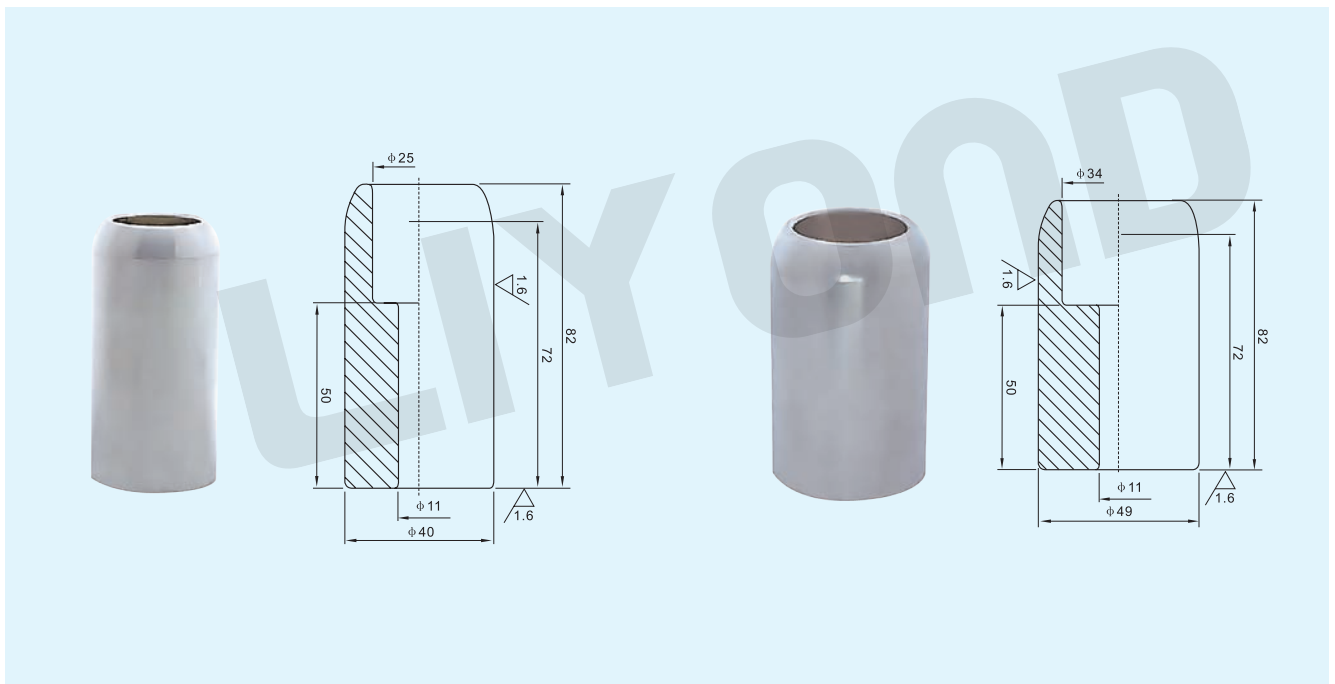
Model No.: LYB101 Material: T2 Red Copper
630A Fixed contact

Model No.: LYB113 Material: T2 Red Copper
630A Fixed contact



Model No.: LYB102 Material: T2 Red Copper
1250A Fixed contact

Model No.: LYB103 Material: T2 Red Copper
1250A Fixed contact

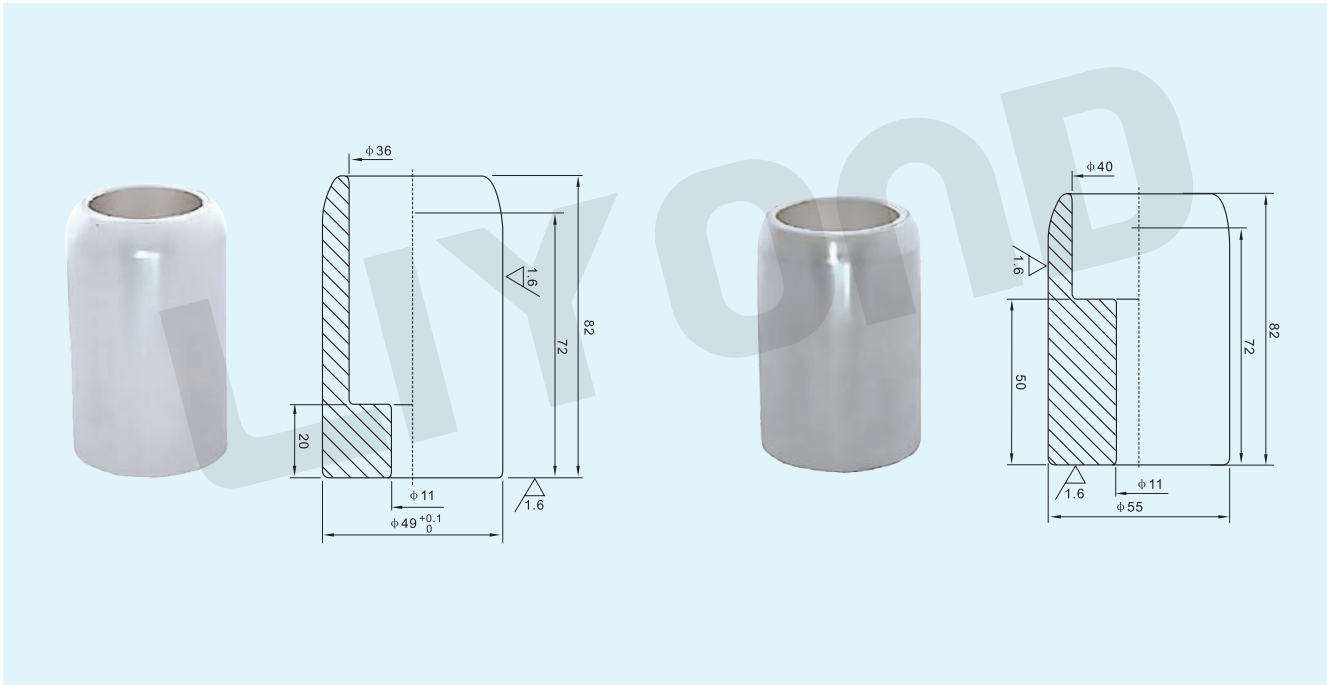




FIXED CONTACT SERIES

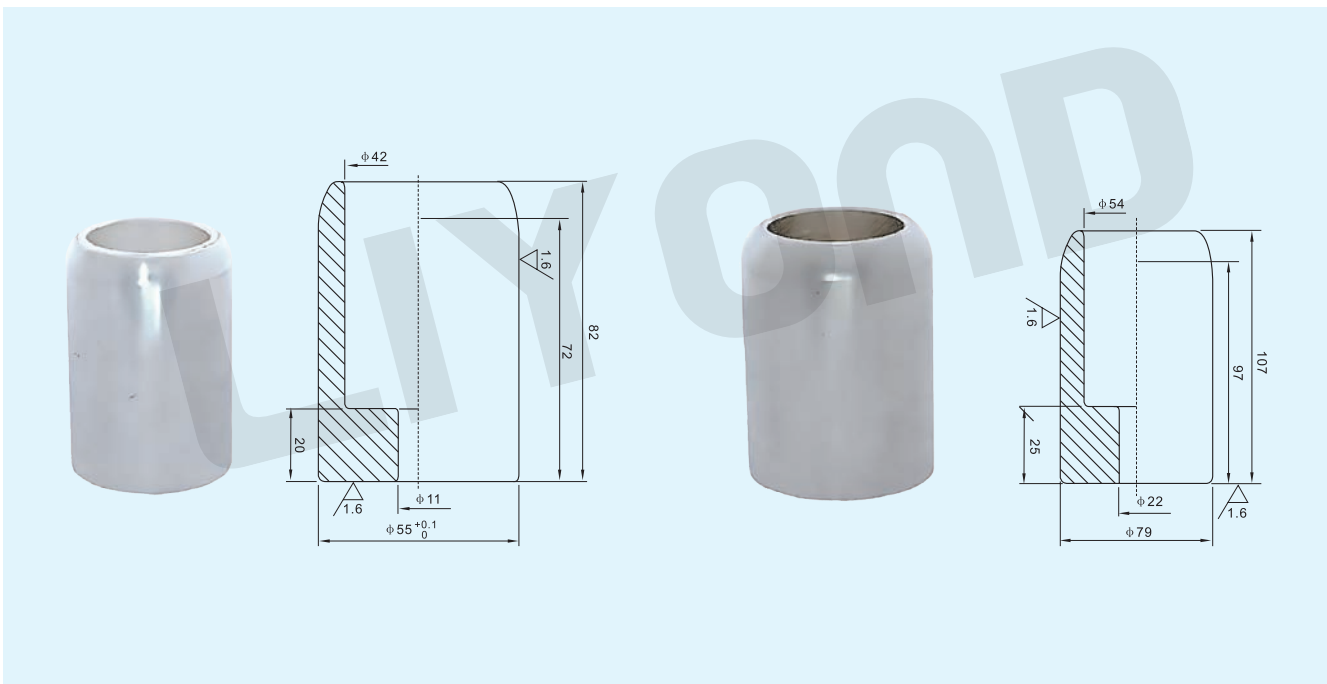
Model No.: LYB114 Material: T2 Red Copper
1250A Fixed contact

Model No.: LYB104 Material: T2 Red Copper
1600A Fixed contact



Model No.: LYB115 Material: T2 Red Copper
1600A Fixed contact

Model No.: LYB105 Material: T2 Red Copper
2000A Fixed contact

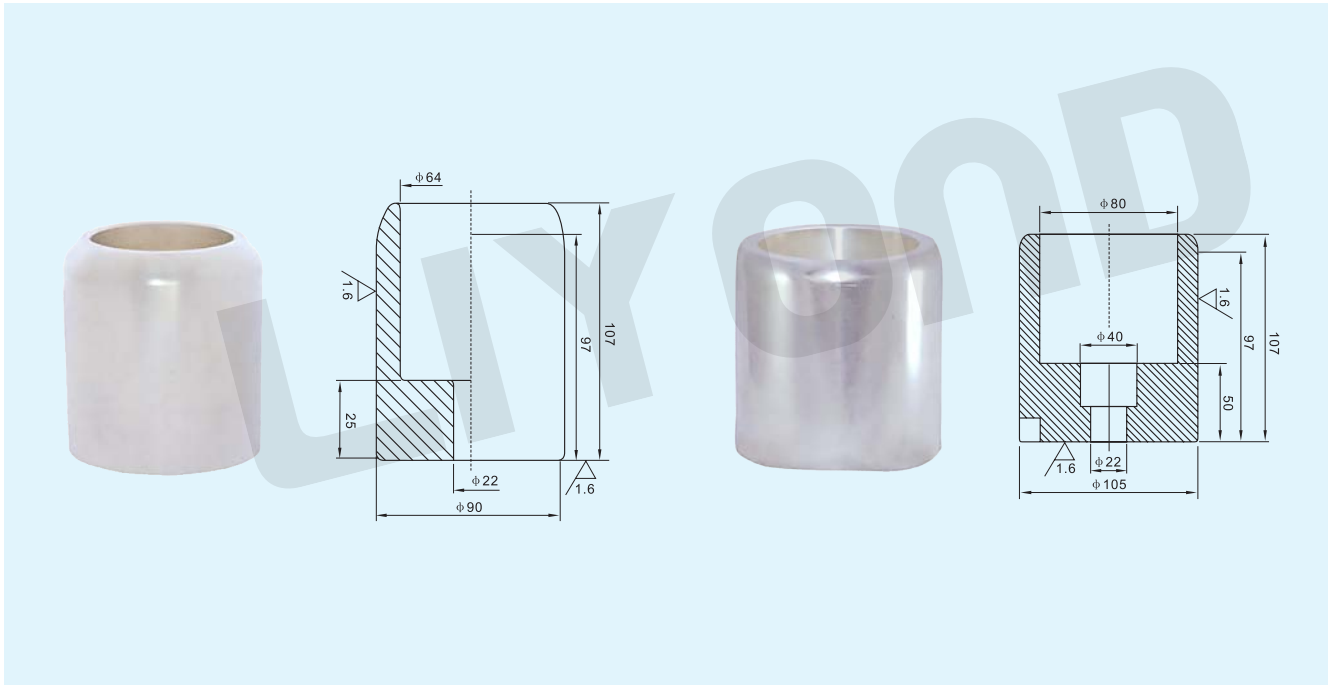




FIXED CONTACT SERIES

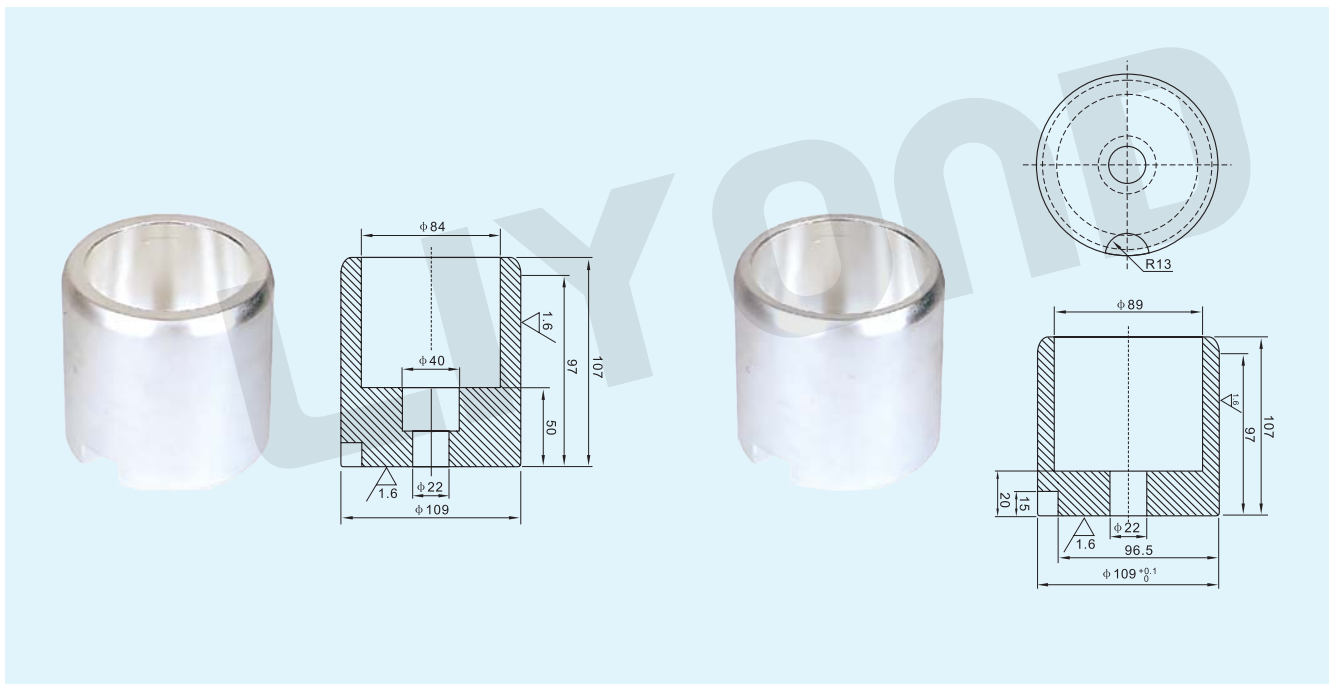
Model No.: LYB106 Material: T2 Red Copper
2000A Fixed contact

Model No.: LYB107 Material: T2 Red Copper
3150A Fixed contact



Model No.: LYB108 Material: T2 Red Copper
4000A Fixed contact

Model No.: LYB116 Material: T2 Red Copper
3150A Fixed contact

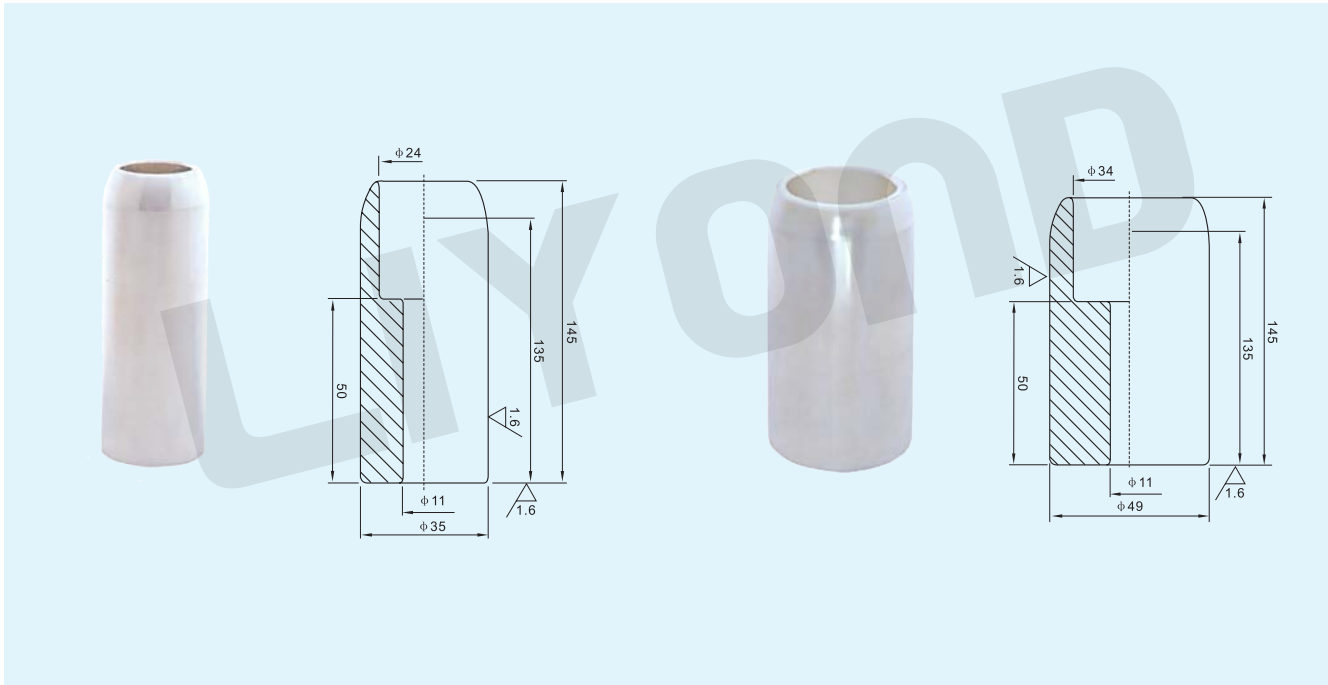




FIXED CONTACT SERIES

Model No.: LYB117 Material: T2 Red Copper
630A Fixed contact

Model No.: LYB118 Material: T2 Red Copper
1250A Fixed contact



Model No.: LYB119 Material: T2 Red Copper
1600A Fixed contact

Model No.: LYB120 Material: T2 Red Copper
2000A Fixed contact

